



## Main

Range of product	Phaseo
Product or component type	Battery module
Battery capacity	7 Ah

## Complementary

Input voltage limits	21...29 V
Charging time	72 h
Load current	0.7 A
Self-discharge rate	9 %, 3 months 3 %, 1 month 15 %, 6 months
Output coupling	Parallel
Operating altitude	2000 m
Marking	CE
Net weight	6.5 kg

## Environment

Product certifications	UL GOST
Ambient air temperature for operation	0...40 °C
Ambient air temperature for storage	-20...50 °C

## Packing Units

Package 1 Weight	6.030 kg
Package 1 Height	19.500 cm
Package 1 width	20.000 cm
Package 1 Length	26.500 cm

## Offer Sustainability

REACH free of SVHC	Yes
EU RoHS Directive	Not applicable, out of EU RoHS legal scope
China RoHS Regulation	<a href="#">China RoHS Declaration</a>
Environmental Disclosure	<a href="#">Product Environmental Profile</a>
Circularity Profile	<a href="#">End Of Life Information</a>
PVC free	Yes

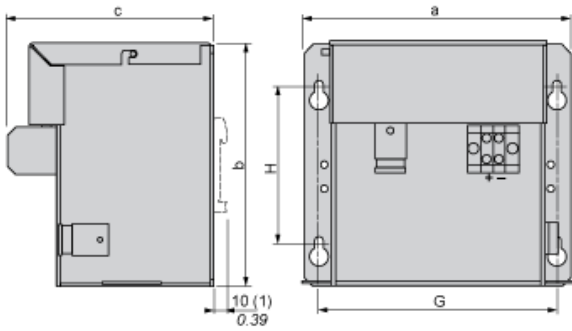
## Contractual warranty

Warranty	18 months
----------	-----------

24 Vdc Battery Module

Dimensions

mm  
inch



ABL	a	b	c	G	H
8BPK24A03	184/7.24	138,5/5.45	131	156/6.14	83/3.27
8BPK24A07	170/6.69	155,5/6.12	131	152/5.98	100/3.94
8BPK24A12	238/9.29	155,5/6.12	131	218/3.94	100/3.94

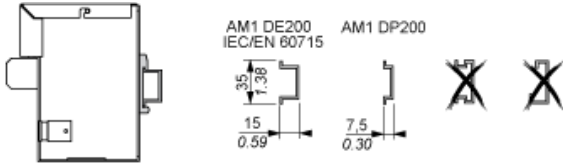
(1) ABL8BPK24A03 (with kit ABL1A02)

---

24 Vdc Battery Module

---

Mounting



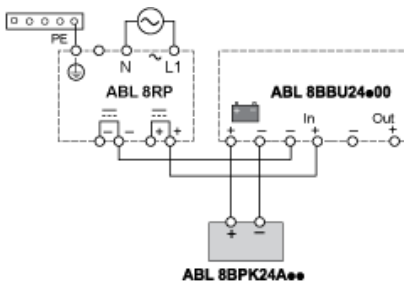
Wiring Requirements

Cable Types and Wire Sizes

	<b>ABL 8BPK24A00</b> 6 / 10	<b>ABL 8BBU24200</b> 10 / 6

24 Vdc Battery Module Wiring

Wiring Diagram



Paralleling 2 x ABL8PK24A00

Wiring Diagram

