



ECON® Bourdon tube pressure gauge Type: 1401C Back mount Brass Front flange

Characteristics

- Type:** 1401C
- Model:** Bourdon tube pressure gauge
- Blow-out included:** No
- Liquid-damped:** No
- Fill fluid:** None
- Pressure gauge attachment:** Front flange
- Connection location:** Back mount
- Process connection:** External thread
- Material mounting flange:** Stainless steel
- Process connection material:** Brass
- Protection class:** IP54
- Medium temperature:** 0 / 50 °C
- Ambient temperature:** 0 / 50 °C

Application

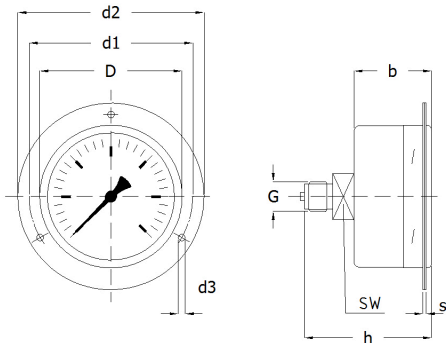
- Light industry.
- Pneumatics.
- Installation technique.
- Recommended in: Utilities

Technical Information

- Suitable for gases and liquids that do not affect the brass measuring system.
- Measuring ranges according to EN 837-1.
- Equipped with front flange for panel mounting.

Options

- Double scale for example in bar/psi.
- Damping screw in connection.
- Dial according to customer specification for example company logo.



Size table:

Cabinet diameter	G	b	D	d2	h	s	SW	Weight
		mm	mm	mm	mm	mm	mm	kg
R63	1/4"	32	62	85	53	1.5	14	0.13

Cabinet diameter mm	Measuring range	Pressure unit	Accuracy class	Connection type	Size process connection	Cabinet material	Window material	Material dial	Maximum overpressure bar	Article
63	-1 / 0	bar	1.6 %	Centric	1/4" BSPP[G]	Stainless steel 304	Acrylic	Aluminium	0	685157
63	0 / 1.6	bar	1.6 %	Centric	1/4" BSPP[G]	Stainless steel 304	Acrylic	Aluminium	2	685111
63	0 / 2.5	bar	1.6 %	Centric	1/4" BSPP[G]	Stainless steel 304	Acrylic	Aluminium	3	685130
63	0 / 16	bar	1.6 %	Centric	1/4" BSPP[G]	Stainless steel 304	Acrylic	Aluminium	20	685125

Disclaimer: The content of this document has been composed with the utmost care. However, it is possible that certain information changes over time, becomes inaccurate or incomplete. ERIKS does not guarantee that the information provided on this document is up to date, accurate and complete; the information provided is not intended to be advice. ERIKS shall never be liable for damage resulting from the use of the information provided.