



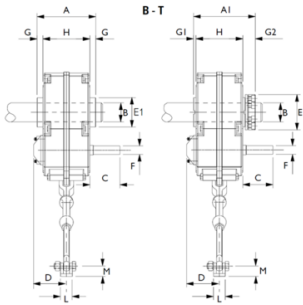
## FENNER SMSR Gearbox size H

The Fenner Shaft Mounted Speed Reducer (SMSR) offers a rugged and compact design for easy handling and has as standard a large range of bore sizes between 20mm and 190mm, a torque capacity up to 455.000Nm and with the use of a simple belt drive ratios up to 200:1. The Taper-Grip version offers easy removal and fitting

### Characteristics

**Series:** SMSR

**Model:** Reducer



Model	Type of gearbox	Size	Rated torque Nm	Gear Ratio	Diameter input shaft mm	Diameter output bore	Article
Reducer	Hollow Bore	H	3,949	5	42	85	116H0501
Reducer	Hollow Bore	H	3,949	5	42	100	116H0502
Reducer	Hollow Bore	H	4645	13	42	85	116H1301
Reducer	Hollow Bore	H	4645	13	42	100	116H1302
Reducer	Hollow Bore	H	4645	20	42	85	116H2001
Reducer	Hollow Bore	H	4645	20	42	100	116H2002
Reducer	Hollow Bore	H	4645	25	42	85	116H2501
Reducer	Taper Grip	H	3,949	5	42		116H0505
Reducer	Taper Grip	H	4645	13	42		116H1305
Reducer	Taper Grip	H	4645	20	42		116H2005

Disclaimer: The content of this document has been composed with the utmost care. However, it is possible that certain information changes over time, becomes inaccurate or incomplete. ERIKS does not guarantee that the information provided on this document is up to date, accurate and complete; the information provided is not intended to be advice. ERIKS shall never be liable for damage resulting from the use of the information provided.