



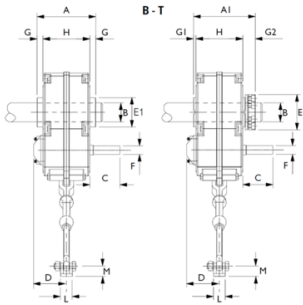
## FENNER SMSR Gearbox size G

The Fenner Shaft Mounted Speed Reducer (SMSR) offers a rugged and compact design for easy handling and has as standard a large range of bore sizes between 20mm and 190mm, a torque capacity up to 455.000Nm and with the use of a simple belt drive ratios up to 200:1. The Taper-Grip version offers easy removal and fitting

### Characteristics

**Series:** SMSR

**Model:** Reducer



Model	Type of gearbox	Size	Rated torque Nm	Gear Ratio	Diameter input shaft mm	Diameter output bore	Article
Reducer	Hollow Bore	G	2.75	5	32	75	116G0501
Reducer	Hollow Bore	G	2.75	5	32	85	116G0502
Reducer	Hollow Bore	G	3235	13	32	75	116G1301
Reducer	Hollow Bore	G	3235	13	32	85	116G1302
Reducer	Hollow Bore	G	3235	20	32	75	116G2001
Reducer	Hollow Bore	G	3235	20	32	85	116G2002
Reducer	Taper Grip	G	2.75	5	32		116G0505
Reducer	Taper Grip	G	3235	13	32		116G1305
Reducer	Taper Grip	G	3235	20	32		116G2005

Disclaimer: The content of this document has been composed with the utmost care. However, it is possible that certain information changes over time, becomes inaccurate or incomplete. ERIKS does not guarantee that the information provided on this document is up to date, accurate and complete; the information provided is not intended to be advice. ERIKS shall never be liable for damage resulting from the use of the information provided.