



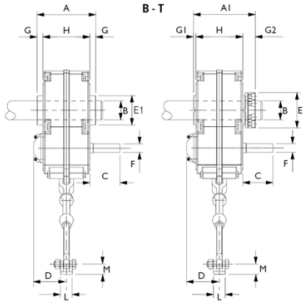
FENNER SMSR Gearbox size F

The Fenner Shaft Mounted Speed Reducer (SMSR) offers a rugged and compact design for easy handling and has as standard a large range of bore sizes between 20mm and 190mm, a torque capacity up to 455.000Nm and with the use of a simple belt drive ratios up to 200:1. The Taper-Grip version offers easy removal and fitting

Characteristics

Series: SMSR

Model: Reducer



Model	Type of gearbox	Size	Rated torque Nm	Gear Ratio	Diameter input shaft mm	Diameter output bore	Article
Reducer	Hollow Bore	F	1589	5	28	65	116F0501
Reducer	Hollow Bore	F	1589	5	28	75	116F0502
Reducer	Hollow Bore	F	1870	13	28	65	116F1301
Reducer	Hollow Bore	F	1870	13	28	75	116F1302
Reducer	Hollow Bore	F	1870	20	28	65	116F2001
Reducer	Hollow Bore	F	1870	20	28	75	116F2002
Reducer	Hollow Bore	F	1870	25	28	65	116F2501
Reducer	Taper Grip	F	1870	13	28		116F1305
Reducer	Taper Grip	F	1870	20	28		116F2005

Disclaimer: The content of this document has been composed with the utmost care. However, it is possible that certain information changes over time, becomes inaccurate or incomplete. ERIKS does not guarantee that the information provided on this document is up to date, accurate and complete; the information provided is not intended to be advice. ERIKS shall never be liable for damage resulting from the use of the information provided.