



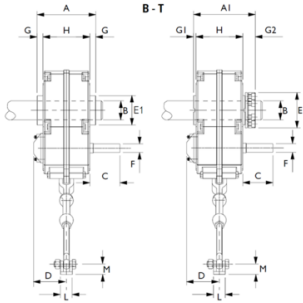
## FENNER SMSR Gearbox size D

The Fenner Shaft Mounted Speed Reducer (SMSR) offers a rugged and compact design for easy handling and has as standard a large range of bore sizes between 20mm and 190mm, a torque capacity up to 455.000Nm and with the use of a simple belt drive ratios up to 200:1. The Taper-Grip version offers easy removal and fitting

### Characteristics

**Series:** SMSR

**Model:** Reducer



Model	Type of gearbox	Size	Rated torque Nm	Gear Ratio	Diameter input shaft mm	Diameter output bore	Article
Reducer	Hollow Bore	D	691	5	22	50	116D0501
Reducer	Hollow Bore	D	691	5	22	55	116D0502
Reducer	Hollow Bore	D	812	13	22	50	116D1301
Reducer	Hollow Bore	D	812	13	22	55	116D1302
Reducer	Hollow Bore	D	812	20	22	50	116D2001
Reducer	Hollow Bore	D	812	20	22	55	116D2002
Reducer	Hollow Bore	D	812	25	22	50	116D2501
Reducer	Hollow Bore	D	812	25	22	55	116D2502
Reducer	Taper Grip	D	691	5	22		116D0505
Reducer	Taper Grip	D	812	13	22		116D1305
Reducer	Taper Grip	D	812	20	22		116D2005
Reducer	Taper Grip	D	812	25	22		116D2505

Disclaimer: The content of this document has been composed with the utmost care. However, it is possible that certain information changes over time, becomes inaccurate or incomplete. ERIKS does not guarantee that the information provided on this document is up to date, accurate and complete; the information provided is not intended to be advice. ERIKS shall never be liable for damage resulting from the use of the information provided.