



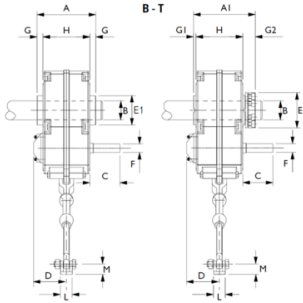
FENNER SMSR Gearbox size C

The Fenner Shaft Mounted Speed Reducer (SMSR) offers a rugged and compact design for easy handling and has as standard a large range of bore sizes between 20mm and 190mm, a torque capacity up to 455.000Nm and with the use of a simple belt drive ratios up to 200:1. The Taper-Grip version offers easy removal and fitting

Characteristics

Series: SMSR

Model: Reducer



Model	Type of gearbox	Size	Rated torque Nm	Gear Ratio	Diameter input shaft mm	Diameter output bore	Article
Reducer	Hollow Bore	C	442	5	19	40	116C0501
Reducer	Hollow Bore	C	442	5	19	50	116C0502
Reducer	Hollow Bore	C	519	13	19	40	116C1301
Reducer	Hollow Bore	C	519	13	19	50	116C1302
Reducer	Hollow Bore	C	519	20	19	40	116C2001
Reducer	Hollow Bore	C	519	20	19	50	116C2002
Reducer	Hollow Bore	C	519	25	19	50	116C2502
Reducer	Taper Grip	C	519	13	19		116C1305
Reducer	Taper Grip	C	519	20	19		116C2005

Disclaimer: The content of this document has been composed with the utmost care. However, it is possible that certain information changes over time, becomes inaccurate or incomplete. ERIKS does not guarantee that the information provided on this document is up to date, accurate and complete; the information provided is not intended to be advice. ERIKS shall never be liable for damage resulting from the use of the information provided.