



ECON® Y-filter Type: 1020 Ductile cast iron Flange

Characteristics

Type: 1020

Application

- Gases, steam, water, oil and other process fluids
- Perforation of 0.25mm suitable for steam applications

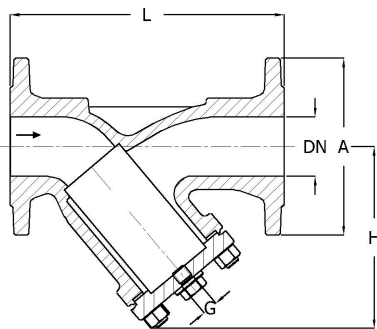
Technical Information

- Horizontal piping
- Vertical piping with downwards flow
- Max. differential pressure 1bar
- Suitable for suction and delivery piping
- With drain plug as standard
- Pressure class for DN 15 to DN 200 in PN 25, for DN 250 and greater in PN 16
- Max. differential pressure 1bar
- All measuring connectors have two 0.25-inch BSP female threads.
- Various types of measuring nipples are available that can be connected to IMI (TA) or Oventrop measuring computers.
- At the measuring connectors, the differential pressure (and therefore also the contamination) can be measured directly at the filter using a coated differential pressure gauge (type 755), in combination with a reed switch if necessary.

Options

- Available with other perforations from 0.25mm to 3.0mm
- Available with magnet
- Available with material certificate EN 10204 3.1

Size table:



DN	A	G	H	L	Diameter screen	Height screen	Weight
	mm		mm	mm	mm	mm	kg
DN15	95	3/8"	90	130	23	56	2.6
DN25	115	3/4"	115	160	36	82	4.3
DN32	140	3/4"	135	180	42	98	6.8
DN40	150	1"	150	200	50	114	9
DN50	165	1"	160	230	61.5	119	11
DN65	185	1"	180	290	78.5	134	16.8
DN80	200	1"	215	310	89.5	149	19.5
DN100	235	1.1/2"	240	350	108.5	169	29.6
DN150	300	1.1/2"	330	480	160	224	56

Disclaimer: The content of this document has been composed with the utmost care. However, it is possible that certain information changes over time, becomes inaccurate or incomplete. ERIKS does not guarantee that the information provided on this document is up to date, accurate and complete; the information provided is not intended to be advice. ERIKS shall never be liable for damage resulting from the use of the information provided.

Pressure and temperature range							
Pressure rating	-10/120	150	200	250	300	350	[°C]
PN25	25	24.3	23	21.8	20	17.5	[bar]

Material quality	Nominal inner diameter	Pressure rating	Face to Face length mm	Perforation size mm	With measuring connections	Cover model	With drain plug	Material cover	Article
EN-JS1020	DN15	PN25	130	0.25	No	Flanged	Yes	EN-JS1020	EC010200015N21F
EN-JS1020	DN25	PN25	160	0.25	No	Flanged	Yes	EN-JS1020	EC010200025N21F
EN-JS1020	DN32	PN25	180	0.25	No	Flanged	Yes	EN-JS1020	EC010200032N21F
EN-JS1020	DN32	PN25	180	1	No	Flanged	Yes	EN-JS1020	EC010200032N21Z
EN-JS1020	DN40	PN25	200	0.25	No	Flanged	Yes	EN-JS1020	EC010200040N21F
EN-JS1020	DN40	PN25	200	1	No	Flanged	Yes	EN-JS1020	EC010200040N21Z
EN-JS1020	DN40	PN25	200	1	Yes	Flanged	Yes	EN-JS1020	14151789
EN-JS1020	DN50	PN25	230	0.25	No	Flanged	Yes	EN-JS1020	EC010200050N21F
EN-JS1020	DN50	PN25	230	1	Yes	Flanged	Yes	EN-JS1020	14151791
EN-JS1020	DN65	PN25	290	1.25	Yes	Flanged	Yes	EN-JS1020	14151793
EN-JS1020	DN80	PN25	310	1.25	Yes	Flanged	Yes	EN-JS1020	14151795
EN-JS1020	DN100	PN25	350	0.25	No	Flanged	Yes	EN-JS1020	EC010200100N21F
EN-JS1020	DN100	PN25	350	1.6	No	Flanged	Yes	EN-JS1020	EC010200100N21Z
EN-JS1020	DN100	PN25	350	1.6	Yes	Flanged	Yes	EN-JS1020	14151797
EN-JS1020	DN150	PN25	480	1.6	Yes	Flanged	Yes	EN-JS1020	14151801

Disclaimer: The content of this document has been composed with the utmost care. However, it is possible that certain information changes over time, becomes inaccurate or incomplete. ERIKS does not guarantee that the information provided on this document is up to date, accurate and complete; the information provided is not intended to be advice. ERIKS shall never be liable for damage resulting from the use of the information provided.