



## ECON® Y-filter Type: 1019 Cast iron Flange

### Characteristics

**Type:** 1019

### Application

- Gases, water, oil and other process fluids

### Technical Information

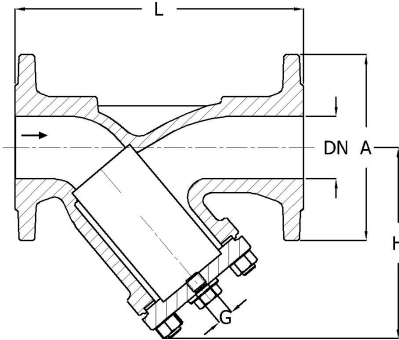
- Horizontal piping
- Vertical piping with downwards flow
- Suitable for suction and delivery piping
- Pressure class PN 16
- With drain plug as standard
- Max. differential pressure 1bar
- All measuring connectors have two 0.25-inch BSP female threads.
- Various types of measuring nipples are available that can be connected to IMI (TA) or Oventrop measuring computers.
- At the measuring connectors, the differential pressure (and therefore also the contamination) can be measured directly at the filter using a coated differential pressure gauge (type 755), in combination with a reed switch if necessary.

### Options

- Available with other perforations from 0.25mm to 3.0mm
- Available with magnet

Size table:

DN	A	G	H	L	Diameter screen	Height screen	Weight
	mm		mm	mm	mm	mm	kg
DN15	95	3/8"	90	130	23	56	2.6
DN20	105	3/8"	100	150	28	68	3
DN25	115	3/4"	115	160	36	82	4.3
DN32	140	3/4"	135	180	42	98	6.8
DN40	150	1"	150	200	50	114	8.8
DN50	165	1"	160	230	61.5	119	11
DN65	185	1"	180	290	78.5	134	14.6
DN80	200	1"	215	310	89.5	149	18.6
DN100	220	1.1/2"	240	350	108.5	169	27
DN125	250	1.1/2"	280	400	137.5	199	38.5
DN150	285	1.1/2"	330	480	160	224	54.5
DN200	340	1.1/2"	405	600	210	284	110
DN250	405	1.1/2"	540	730	258	434	165



Disclaimer: The content of this document has been composed with the utmost care. However, it is possible that certain information changes over time, becomes inaccurate or incomplete. ERIKS does not guarantee that the information provided on this document is up to date, accurate and complete; the information provided is not intended to be advice. ERIKS shall never be liable for damage resulting from the use of the information provided.

Pressure and temperature range								
Pressure rating	-10/120	150	180	200	230	250	300	[°C]
PN16	16	14.4	13.4	12.8	11.8	11.2	9.6	[bar]

Material quality	Nominal inner diameter	Pressure rating	Face to Face length mm	Perforation size mm	With measuring connections	Cover model	With drain plug	Material cover	Article
EN-JL1040	DN15	PN16	130	0.25	No	Flanged	Yes	EN-JL1040	EC010190015G135
EN-JL1040	DN15	PN16	130	1	No	Flanged	Yes	EN-JL1040	EC010190015G115
EN-JL1040	DN20	PN16	150	0.25	No	Flanged	Yes	EN-JL1040	EC010190020G135
EN-JL1040	DN25	PN16	160	0.25	No	Flanged	Yes	EN-JL1040	EC010190025G135
EN-JL1040	DN25	PN16	160	1	No	Flanged	Yes	EN-JL1040	EC010190025G115
EN-JL1040	DN25	PN16	160	1	Yes	Flanged	Yes	EN-JL1040	14110237
EN-JL1040	DN32	PN16	180	0.25	No	Flanged	Yes	EN-JL1040	EC010190032G135
EN-JL1040	DN32	PN16	180	1	No	Flanged	Yes	EN-JL1040	EC010190032G115
EN-JL1040	DN32	PN16	180	1	Yes	Flanged	Yes	EN-JL1040	14110239
EN-JL1040	DN40	PN16	200	0.25	No	Flanged	Yes	EN-JL1040	EC010190040G135
EN-JL1040	DN40	PN16	200	1	No	Flanged	Yes	EN-JL1040	EC010190040G115
EN-JL1040	DN40	PN16	200	1	Yes	Flanged	Yes	EN-JL1040	14110241
EN-JL1040	DN50	PN16	230	1	No	Flanged	Yes	EN-JL1040	EC010190050G115
EN-JL1040	DN50	PN16	230	1	Yes	Flanged	Yes	EN-JL1040	14110243
EN-JL1040	DN65	PN16	290	1.25	No	Flanged	Yes	EN-JL1040	EC010190065G115
EN-JL1040	DN65	PN16	290	1.25	Yes	Flanged	Yes	EN-JL1040	14110245
EN-JL1040	DN80	PN16	310	0.25	No	Flanged	Yes	EN-JL1040	EC010190080G135
EN-JL1040	DN80	PN16	310	1.25	No	Flanged	Yes	EN-JL1040	EC010190080G115
EN-JL1040	DN100	PN16	350	0.25	No	Flanged	Yes	EN-JL1040	EC010190100G135
EN-JL1040	DN100	PN16	350	1.6	No	Flanged	Yes	EN-JL1040	EC010190100G115
EN-JL1040	DN100	PN16	350	1.6	Yes	Flanged	Yes	EN-JL1040	14110249
EN-JL1040	DN125	PN16	400	0.25	No	Flanged	Yes	EN-JL1040	EC010190125G135
EN-JL1040	DN125	PN16	400	1.6	No	Flanged	Yes	EN-JL1040	EC010190125G115
EN-JL1040	DN150	PN16	480	0.25	No	Flanged	Yes	EN-JL1040	EC010190150G135
EN-JL1040	DN150	PN16	480	1.6	No	Flanged	Yes	EN-JL1040	EC010190150G115
EN-JL1040	DN150	PN16	480	1.6	Yes	Flanged	Yes	EN-JL1040	14110253
EN-JL1040	DN200	PN16	600	1.6	No	Flanged	Yes	EN-JL1040	EC010190200G115
EN-JL1040	DN200	PN16	600	1.6	Yes	Flanged	Yes	EN-JL1040	14110255
EN-JL1040	DN250	PN16	730	1.6	No	Flanged	Yes	EN-JL1040	EC010190250G115

Disclaimer: The content of this document has been composed with the utmost care. However, it is possible that certain information changes over time, becomes inaccurate or incomplete. ERIKS does not guarantee that the information provided on this document is up to date, accurate and complete; the information provided is not intended to be advice. ERIKS shall never be liable for damage resulting from the use of the information provided.